

**Quick Ship**

• Next day shipment on all stock units.

**Strip Heaters**

**375 Strip**

Aptly named for its 0.375 inch (9.5 mm) thickness, the Watlow 375 strip is a rugged heater capable of both high temperatures and high watt densities.

Its ruggedness comes from the design and use of choice materials. Watlow begins construction by accurately placing a coiled, nickel-chrome element wire in the center of the heater. The element wire is then embedded in MgO-based insulation compacted into a solid mass that results in excellent heat conductivity and high dielectric strength. Finally, the heater is enclosed in aluminized steel sheathing.

**Performance Capabilities**

- Aluminized steel sheath temperatures to 595°C (1100°F)
- Stainless steel sheath temperatures to 650°C (1200°F)
- Watt densities to 130 W/in<sup>2</sup> (20.2 W/cm<sup>2</sup>)
- UL® approved to 240V~(ac) (File No. E52951)
- CSA approved to 600V~(ac) (File No. LR7392)

**Features and Benefits**

**Nickel-chrome element wire is centered in the heater**

- Assures uniform heat

**Aluminized steel sheath**

- Operates at higher temperatures
- Resists corrosion better than iron-sheath heaters

**Optional 430 stainless steel sheath**

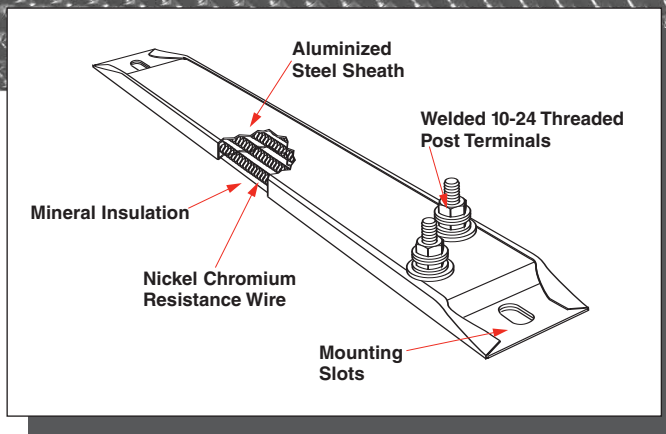
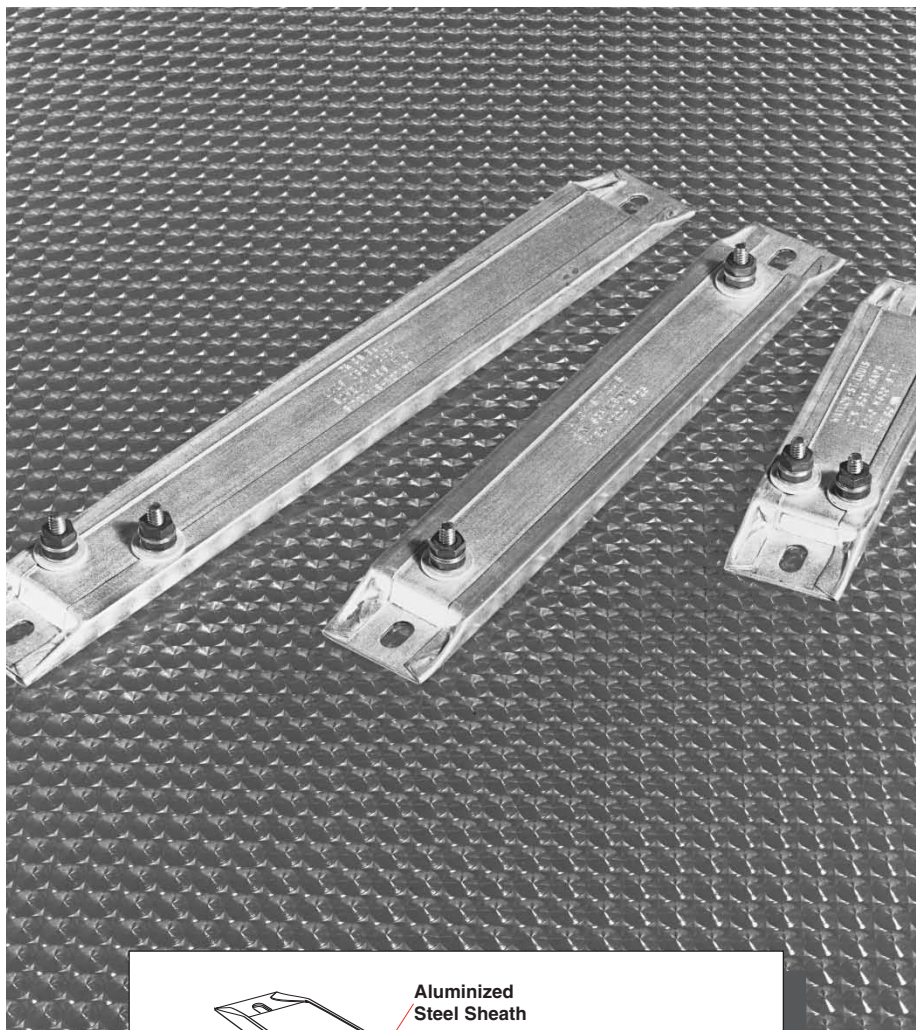
- Available for applications where temperatures reach 650°C (1200°F)

**Post terminals, welded to the element wire**

- Produces strong, trouble-free connections

**Rigid 3/8 inch (9.5 mm) thick design**

- Enables the heater to fit into many existing applications



**Over 100 in-stock models in popular sizes and ratings**

- Available for next day shipment

**Available dimensions are 1½ inches (38 mm) wide and 5½ (140 mm) to 48 inches (1220 mm) long**

**Applications**

- Food warming
- Freeze and moisture protection
- Tank and platen heating
- Packaging
- Dies and mold heating
- Autoclaves
- Ovens

UL® is a registered trademark of Underwriter's Laboratories, Inc.

# Strip Heaters

## 375 Strip

### Applications and Technical Data

#### Calculating Watt Density

Use the **Maximum Allowable Watt Density** graphs and formulas to ensure the allowable watt density for the heater will not be exceeded in your application.

**Watt density is calculated for one side of the heater only.**

#### Formulas:

$$\text{Watt Density} = \frac{\text{Wattage}}{\text{Heated Area}}$$

Heated Area

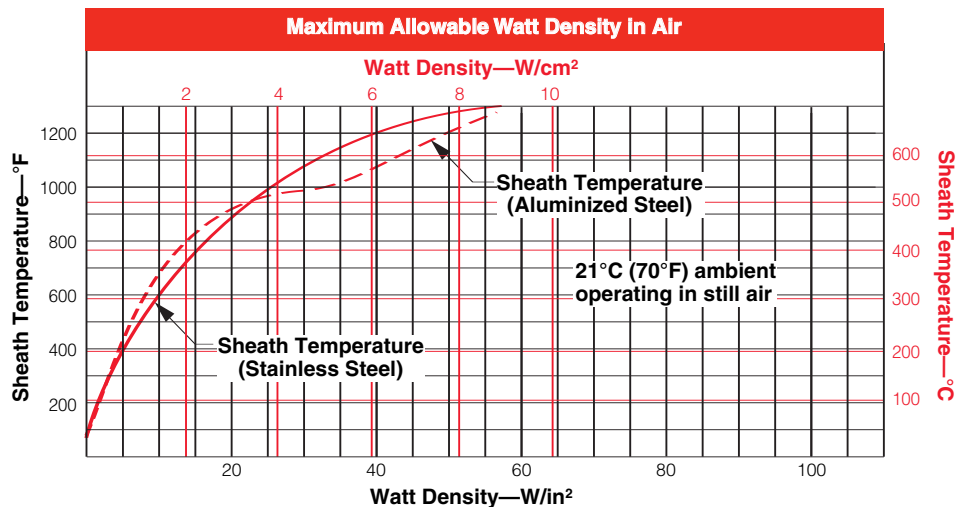
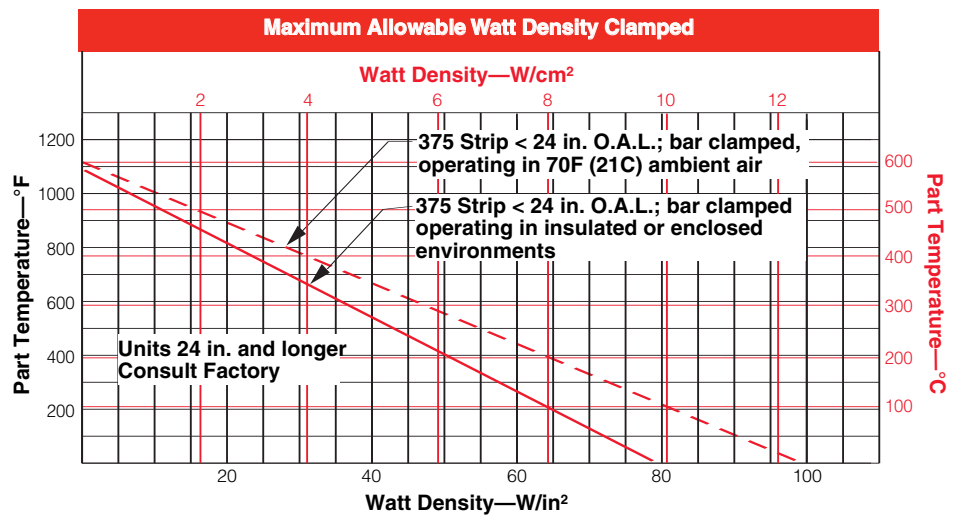
$$\begin{aligned} \text{(Offset Terminals)} &= [\text{Overall Length (A)} \times 1.5 \text{ in}] - 6 \text{ in}^2 \\ &= [\text{Overall Length (A)} \times 38.1 \text{ mm}] - 38.7 \text{ cm}^2 \end{aligned}$$

Heated Area

$$\begin{aligned} \text{(Parallel Terminals)} &= [\text{Overall Length (A)} \times 1.5 \text{ in}] - 4.7 \text{ in}^2 \\ &= [\text{Overall Length (A)} \times 38.1 \text{ mm}] - 30.3 \text{ cm}^2 \end{aligned}$$

Heated Area

$$\begin{aligned} \text{(One-on-One Terminals)} &= [\text{Overall Length (A)} \times 1.5 \text{ in}] - 6 \text{ in}^2 \\ &= [\text{Overall Length (A)} \times 38.1 \text{ mm}] - 38.7 \text{ cm}^2 \end{aligned}$$



# Strip Heaters

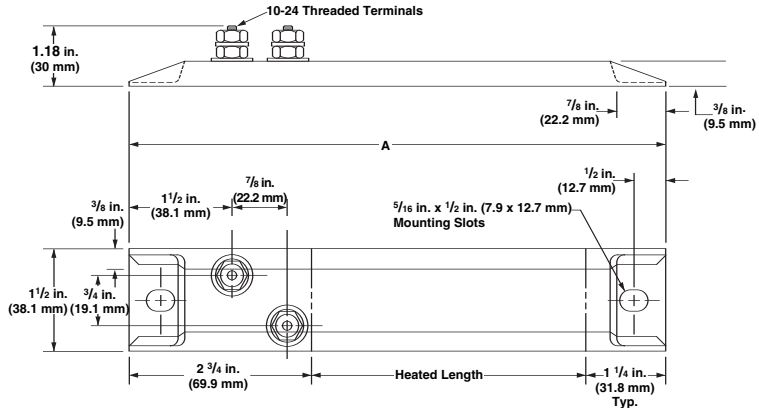
## 375 Strip

### Termination Options

\* Tab removal available from stock or manufactured.

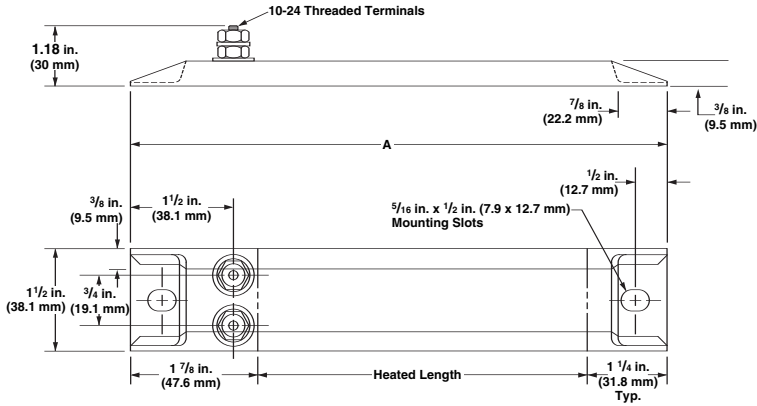
#### Offset Terminals\*

Two 10-24 threaded post terminals are offset from each other on the same end.



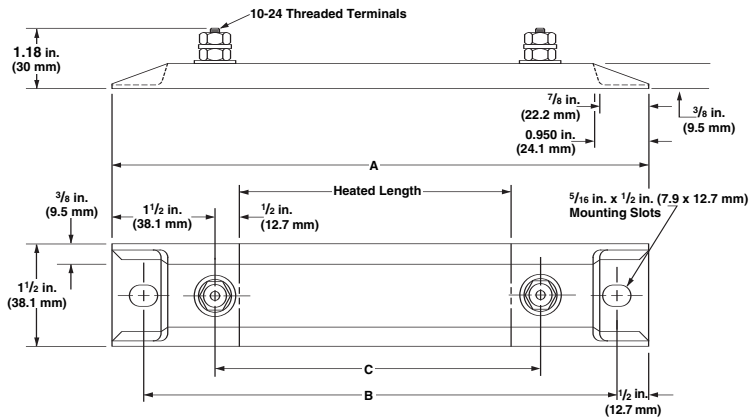
#### Parallel Terminals\*

Two 10-24 threaded post terminals are used; both terminals on one end.



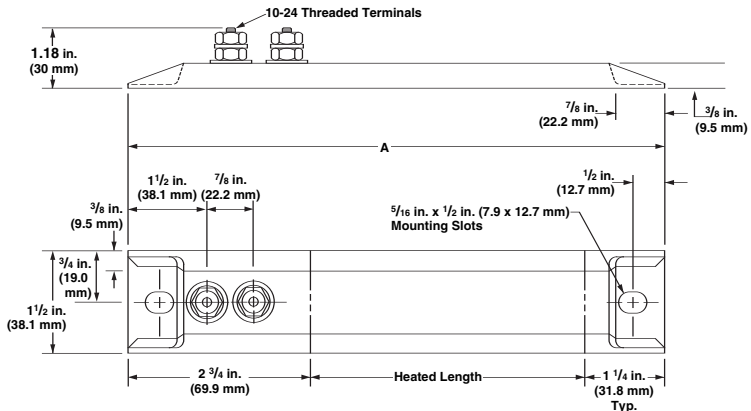
#### One-on-One Terminals\*

Two 10-24 threaded post terminals are placed one on each end.



#### In-Line Terminals\*

Two 10-24 threaded post terminals are in-line with each other on the same end.



# Strip Heaters

## 375 Strip

### Termination Options

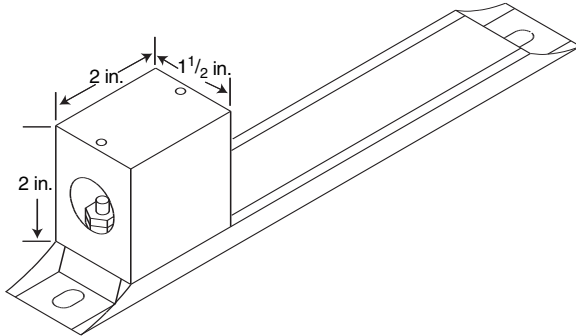
#### Continued

#### Variations

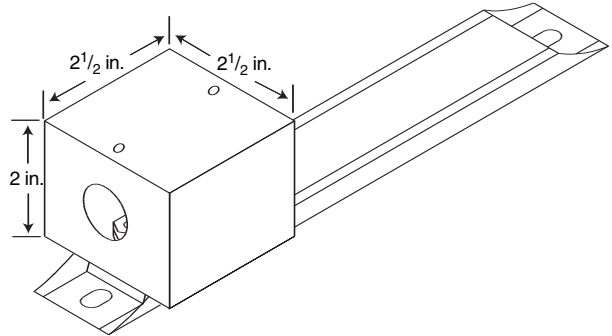
### Metallic Terminal Boxes

Metallic terminal boxes are available on offset terminals from stock. Terminal boxes act as a safety feature by covering the terminals.

Conduit may be attached to the box through  $\frac{7}{8}$  inch (22 mm) diameter holes in the ends of the box. To order, specify terminal box.



Available in in-line terminals only.

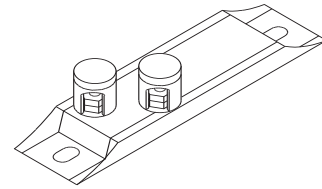


Available on offset terminals from stock and manufactured.

### Accessories

### Ceramic Terminal Covers

A convenient and economic way to insulate post terminals. Sized for standard length posts. 10-24 screw thread size. These are supplied as an accessory item and shipped separately. Specify **Z-4918** and quantity.



### How to Order

To order your **stock** 375 strip heater, specify:

- Quantity
- Watlow code number
- Removal of mounting tabs, if desired,

If stock units do not meet application needs, Watlow can manufacture 375 strip heaters to special requirements.

For **made-to-order** units, please specify, in addition to above information:

- Width
- Heater length, including mounting tabs
- Terminal type (offset, parallel or one-on-one)

### Availability

**Stock:** Next day shipment

**Made-to-Order:** Please consult your Watlow sales engineer or authorized distributor.

**Note:**  $\frac{5}{16}$  inch (7.9 mm) x  $\frac{1}{2}$  inch (12.7 mm) mounting slots are supplied on all 375 strip heaters. Tabs can be removed upon request. Also, note Watlow code number specifies that the 375 strip heater comes with an aluminized steel sheath. If you require a special sheath material, such as stainless steel, please consult your sales engineer or authorized distributor for material availability.

① Chromalox® and Wellman® part numbers are used as a cross reference to help you select the equivalent Watlow code number. Chromalox® sizes 27 inches and longer, and all Wellman® sizes, will have mounting slot center to center distances  $\frac{1}{8}$  inch less than Watlow spacing.

# Strip Heaters

F.O.B.: St. Louis, Missouri

## 375 Strip

Width in. (mm)	Length in. (mm)	Term.	Volts	Power (Watts)	Watt Density		Approx. Net Wt. lbs (kg)	Avall.	Code No.	Chromolox® Code No.®		Wellman® Code No.®		
					W/in2	(W/cm2)				Rust Resist. Iron Sheath	Chrome Stl. Sheath	Aluminized Steel Sheath	Chrome Stl. Sheath	
1½ (38.1)	5½ (139.7)	Parallel	120	125	35	(5.4)	0.4	(0.18)	Stk	SGA1J5JP1	PT-512	—	—	—
	5½ (139.7)	Parallel	120	250	70	(10.8)	0.4	(0.18)	Stk	SGA1J5JP2	—	PT-502	—	—
6 (153.0)	6 (153.0)	Parallel	120	150	35	(5.4)	0.4	(0.18)	Stk	SGA1J6AP2	PT-615	—	—	—
	6 (153.0)	Parallel	240	150	35	(5.4)	0.4	(0.18)	Stk	SGA1J6AP3	PT-615	—	—	—
6 (153.0)	6 (153.0)	Parallel	120	300	70	(10.8)	0.4	(0.18)	Stk	SGA1J6AP4	—	PT-603	—	—
	6 (153.0)	Parallel	240	300	70	(10.8)	0.4	(0.18)	Stk	SGA1J6AP5	—	PT-603	—	—
7½ (190.5)	7½ (190.5)	Offset	120	150	29	(4.5)	0.5	(0.23)	Stk	SGA1J7J01	OT-715	—	SS1041	—
	7½ (190.5)	Offset	240	200	38	(5.9)	0.5	(0.23)	Stk	SGA1J7J03	—	OT-702	—	SS2052
8 (203.2)	8 (203.2)	Offset	120	150	25	(3.9)	0.5	(0.23)	Stk	SGA1J8A01	OT-815	—	SS1061	—
	8 (203.2)	Offset	240	150	25	(3.9)	0.5	(0.23)	Stk	SGA1J8A05	OT-815	—	SS1072	—
8 (203.2)	8 (203.2)	Offset	120	175	29	(4.5)	0.5	(0.23)	Stk	SGA1J8A06	OT-817	—	SS1081	—
	8 (203.2)	Offset	120	250	42	(6.5)	0.5	(0.23)	Stk	SGA1J8A02	—	OT-802	—	SS2061
8 (203.2)	8 (203.2)	Offset	240	250	42	(6.5)	0.5	(0.23)	Stk	SGA1J8A08	—	OT-802	—	SS2072
	8 (203.2)	Offset	120	400	67	(10.4)	0.5	(0.23)	Stk	SGA1J8A09	—	OT-804	—	SS2081
8 (203.2)	8 (203.2)	Offset	240	400	67	(10.4)	0.5	(0.23)	Stk	SGA1J8A10	—	OT-804	—	SS2092
	8 (203.2)	Offset	120	500	83	(12.9)	0.5	(0.23)	Stk	SGA1J8A03	—	—	—	—
8 (203.2)	8 (203.2)	Offset	240	500	83	(12.9)	0.5	(0.23)	Stk	SGA1J8A04	—	—	—	—
	8 (203.2)	1-on-1	120	150	24	(3.7)	0.5	(0.23)	Stk	SGA1J8AT1	S-815	—	SD1021	—
10½ (266.7)	10½ (266.7)	Offset	120	250	26	(4.0)	0.7	(0.32)	Stk	SGA1J10J01	OT-1025	—	SS1101	—
	10½ (266.7)	Offset	240	250	26	(4.0)	0.7	(0.32)	Stk	SGA1J10J02	OT-1025	—	SS1102	—
10½ (266.7)	10½ (266.7)	Offset	120	350	36	(5.6)	0.7	(0.32)	Stk	SGA1J10J08	—	OT-1003	—	SS2101
	10½ (266.7)	Offset	240	350	36	(5.6)	0.7	(0.32)	Stk	SGA1J10J05	—	OT-1003	—	SS2112
10½ (266.7)	10½ (266.7)	Offset	120	400	41	(6.4)	0.7	(0.32)	Stk	SGA1J10J06	—	OT-1004	—	SS2131
	10½ (266.7)	Offset	240	400	41	(6.4)	0.7	(0.32)	Stk	SGA1J10J07	—	OT-1004	—	SS2132
12 (304.8)	12 (304.8)	Offset	120	250	21	(3.3)	0.8	(0.32)	Stk	SGA1J12A01	OT-1225	OT-1202	SS1141	—
	12 (304.8)	Offset	240	250	21	(3.3)	0.8	(0.32)	Stk	SGA1J12A02	OT-1225	OT-1202	SS1152	—
12 (304.8)	12 (304.8)	Offset	120	350	29	(4.5)	0.8	(0.36)	Stk	SGA1J12A05	—	OT-1203	—	SS2141
	12 (304.8)	Offset	240	350	29	(4.5)	0.8	(0.36)	Stk	SGA1J12A06	—	OT-1203	—	SS2152
12 (304.8)	12 (304.8)	Offset	120	500	42	(6.5)	0.8	(0.36)	Stk	SGA1J12A03	—	OT-1205	—	SS2161
	12 (304.8)	Offset	240	500	42	(6.5)	0.8	(0.36)	Stk	SGA1J12A04	—	OT-1205	—	SS2172
12 (304.8)	12 (304.8)	1-on-1	240	250	20	(3.1)	0.8	(0.36)	Stk	SGA1J12AT2	S-1225	S-1202	SD1072	SD2082
	12 (304.8)	1-on-1	240	500	40	(6.2)	0.8	(0.36)	Stk	SGA1J12AT3	—	S-1205	—	SD2122
14 (355.6)	14 (355.6)	Offset	120	300	20	(3.1)	0.9	(0.41)	Stk	SGA1J14A02	OT-1430	—	SS1181	—
	14 (355.6)	Offset	240	300	20	(3.1)	0.9	(0.41)	Stk	SGA1J14A01	OT-1430	—	SS1192	—
14 (355.6)	14 (355.6)	Offset	120	500	33	(5.1)	0.9	(0.41)	Stk	SGA1J14A03	—	OT-1405	—	SS2181
	14 (355.6)	Offset	240	500	33	(5.1)	0.9	(0.41)	Stk	SGA1J14A04	—	OT-1405	—	SS2192
15¼ (387.4)	15¼ (387.4)	Offset	120	325	19	(2.9)	1.0	(0.45)	Stk	SGA1J15E02	OT-1532	—	SS1201	—
	15¼ (387.4)	Offset	240	325	19	(2.9)	1.0	(0.45)	Stk	SGA1J15E03	OT-1532	—	SS1212	—
15¼ (387.4)	15¼ (387.4)	Offset	240	500	30	(4.6)	1.0	(0.45)	Stk	SGA1J15E04	—	OT-1505	—	SS2212
	17 (454.0)	Offset	120	350	17	(2.6)	1.2	(0.54)	Stk	SGA1J17R04	OT-1835	—	SS1221	SS2221
17 (454.0)	17 (454.0)	Offset	240	375	18	(2.8)	1.2	(0.54)	Stk	SGA1J17R07	OT-1837	—	SS1252	—
	17 (454.0)	Offset	120	500	24	(3.7)	1.2	(0.54)	Stk	SGA1J17R01	OT-1850	—	SS1261	SS2241
17 (454.0)	17 (454.0)	Offset	240	500	24	(3.7)	1.2	(0.54)	Stk	SGA1J17R02	OT-1850	—	SS1272	SS2252
	17 (454.0)	Offset	120	750	36	(5.6)	1.2	(0.54)	Stk	SGA1J17R09	—	OT-1807	—	SS2261
17 (454.0)	17 (454.0)	Offset	240	750	36	(5.6)	1.2	(0.54)	Stk	SGA1J17R08	—	OT-1807	—	SS2272
	17 (454.0)	Offset	120	1000	48	(7.4)	1.2	(0.54)	Stk	SGA1J17R010	—	OT-1801	—	SS2281
17 (454.0)	17 (454.0)	Offset	240	1000	48	(7.4)	1.2	(0.54)	Stk	SGA1J17R03	—	OT-1801	—	SS2292
	17 (454.0)	1-on-1	240	500	24	(3.7)	1.2	(0.54)	Stk	SGA1J17RT2	S-1850	S-1805	SD1222	SD2182

Strip Heaters

CONTINUED

Wellman® is a registered tradename of Wellman Thermal Systems Corp.  
Chromolox® is a registered tradename of Chromolox Industrial Heaters Products.

# Strip Heaters

F.O.B.: St. Louis, Missouri

## 375 Strip

Width in. (mm)	Length in. (mm)	Term.	Volts	Power (Watts)	Watt Density W/in2 (W/cm2)	Approx. Net Wt. lbs (kg)	Avall.	Code No.	Chromolox® Code No.®		Wellman® Code No.®	
									Rust Resist. Iron Sheath	Chrome Stl. Sheath	Aluminized Steel Sheath	Chrome Stl. Sheath
1½ (38.1)	19½ (495.3)	Offset	240	350	15 (2.3)	1.3 (0.59)	Stk	SGA1J19J06	OT-1935	—	SS1301	—
	19½ (495.3)	Offset	240	500	22 (3.4)	1.3 (0.59)	Stk	SGA1J19J04	OT-1950	OT-1905	—	SS2312
	19½ (495.3)	Offset	240	750	32 (5.0)	1.3 (0.59)	Stk	SGA1J19J08	—	OT-1907	—	—
	19½ (495.3)	Offset	240	1000	43 (6.7)	1.3 (0.59)	Stk	SGA1J19J01	—	OT-1901	—	SS2332
21 (533.4)	21 (533.4)	Offset	240	500	20 (3.1)	1.4 (0.64)	Stk	SGA1J21A02	OT-2150	—	SS1352	—
	21 (533.4)	Offset	120	750	29 (4.5)	1.4 (0.64)	Stk	SGA1J21A03	—	OT-2107	—	SS2341
	21 (533.4)	Offset	240	750	29 (4.5)	1.4 (0.64)	Stk	SGA1J21A04	—	OT-2107	—	SS2352
23¾ (603.3)	23¾ (603.3)	Offset	120	500	17 (2.6)	1.5 (0.68)	Stk	SGA1J23N05	OT-2450	OT-2405	SS1361	SS2361
	23¾ (603.3)	Offset	240	500	17 (2.6)	1.5 (0.68)	Stk	SGA1J23N06	OT-2450	OT-2405	SS1372	SS2372
	23¾ (603.3)	Offset	240	750	25 (3.9)	1.5 (0.68)	Stk	SGA1J23N02	OT-2475	OT-2407	SS1402	SS2392
	23¾ (603.3)	Offset	120	1000	34 (5.3)	1.5 (0.68)	Stk	SGA1J23N07	—	OT-2401	—	SS2401
	23¾ (603.3)	Offset	240	1000	34 (5.3)	1.5 (0.68)	Stk	SGA1J23N03	—	OT-2401	—	SS2412
	23¾ (603.3)	Offset	240	1500	51 (7.9)	1.5 (0.68)	Stk	SGA1J23N04	—	OT-2415	—	—
	23¾ (603.3)	1-on-1	240	500	17 (2.6)	1.5 (0.68)	Stk	SGA1J23NT3	S-2450	S-2404	SD1342	SD2322
	23¾ (603.3)	1-on-1	240	750	25 (3.9)	1.5 (0.68)	Stk	SGA1J23NT5	—	S-2407	—	SD2352
	23¾ (603.3)	1-on-1	120	1000	33 (5.1)	1.5 (0.68)	Stk	SGA1J23NT6	—	S-2401	—	SD2361
	25½ (647.7)	25½ (647.7)	Offset	120	500	16 (2.5)	1.7 (0.77)	Stk	SGA1J25J01	OT-2550	—	SS1421
25½ (647.7)		Offset	240	500	16 (2.5)	1.7 (0.77)	Stk	SGA1J25J02	OT-2550	—	SS1432	—
25½ (647.7)		Offset	240	750	23 (3.6)	1.7 (0.77)	Stk	SGA1J25J04	OT-2575	OT-2507	SS1452	SS2432
25½ (647.7)		Offset	240	1000	31 (4.8)	1.7 (0.77)	Stk	SGA1J25J05	—	OT-2501	—	SS2452
26¾ (679.5)	26¾ (679.5)	Offset	240	700	21 (3.3)	1.7 (0.77)	Stk	SGA1J26N01	OT-2670	—	SS1472	—
	26¾ (679.5)	Offset	240	1000	29 (4.5)	1.7 (0.77)	Stk	SGA1J26N02	—	OT-2601	—	SS2472
30½ (774.7)	30½ (774.7)	Offset	240	750	19 (2.9)	2.0 (0.91)	Stk	SGA1J30J03	OT-3075	OT-3007	SS1492	SS2482
	30½ (774.7)	1-on-1	240	750	19 (2.9)	2.0 (0.91)	Stk	SGA1J30JT1	S-3075	S-3007	SD1452	—
33½ (850.9)	Offset	240	750	17 (2.6)	2.2 (1.0)	Stk	SGA1J33J01	OT-3375	OT-3307	SS1522	SS2522	
35¾ (911.2)	35¾ (911.2)	Offset	240	1000	21 (3.3)	2.3 (1.0)	Stk	SGA1J35R03	OT-3610	—	SS1542	SS2532
	35¾ (911.2)	Offset	240	1500	31 (4.8)	2.3 (1.0)	Stk	SGA1J35R01	—	OT-3601	SS2552	—
	35¾ (911.2)	1-on-1	240	1000	21 (3.3)	2.3 (1.0)	Stk	SGA1J35RT1	S-3610	S-3601	SD1492	SD2492
38½ (977.9)	Offset	240	1500	29 (4.5)	2.5 (1.1)	Stk	SGA1J38J03	—	OT-3815	—	—	
42½(1079.5)	Offset	240	1500	26 (4.0)	2.8 (1.3)	Stk	SGA1J42J01	—	OT-4315	SS1632	SS2632	
47¾(1216.0)	Offset	240	2250	34 (5.3)	3.1 (1.4)	Stk	SGA1J47R01	—	OT-4822	—	—	