

Thermocouples

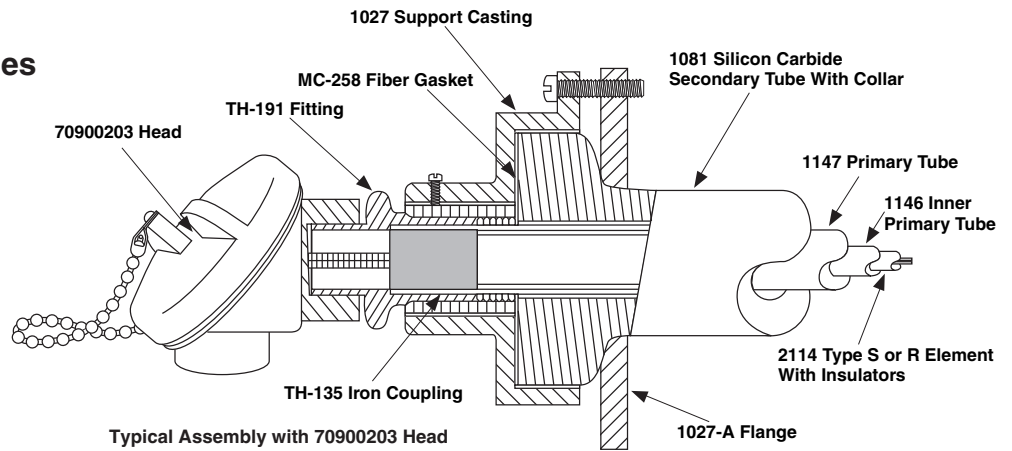
Noble Metal

Thermocouple Assemblies

To order, specify:

Part no.-calibration-length of tube.

Examples: 2144-S-12
2147-R-36

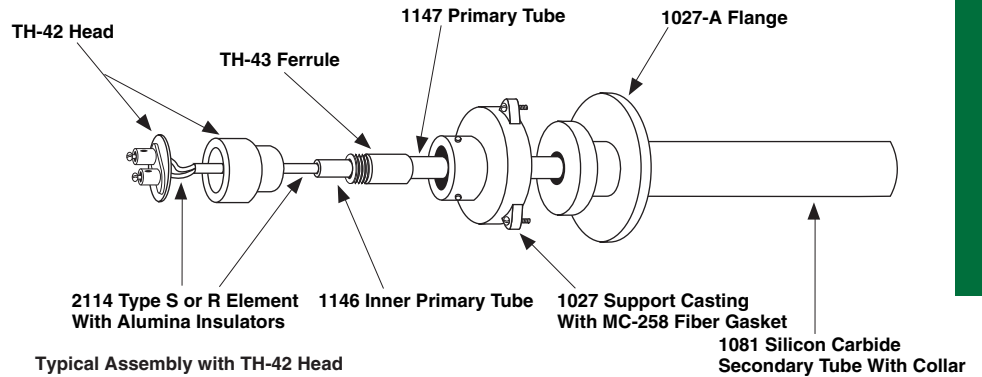


Typical Assembly with 70900203 Head

70900203 Head* and Alumina Ceramics

Code No.*	Calibration	AWG Gauge	Protecting Tubes	Size I.D. x O.D. in.	Length in.
2144	B, R, S	24	1147 Alumina Primary only	$\frac{7}{16} \times \frac{1}{16}$	12, 18, 24 30, 36, 42, 48
2145	B, R, S	24	1147 Primary 1146 Alumina Inner Primary	$\frac{1}{4} \times \frac{1}{16}$	
2147	B, R, S	24	1147 Alumina Primary 1146 Alumina Inner Primary 1081 Secondary	$\frac{1}{4} \times 1 \frac{3}{4}$	

Examples: 2140-B-18
2141-R-24



Typical Assembly with TH-42 Head

TH-42 Head and Alumina Ceramics

Code No.*	Calibration	AWG Gauge	Protecting Tubes	Size I.D. X O.D. in.	Length in.
2140	B, R, S	24	1147 Alumina Primary only	$\frac{7}{16} \times \frac{1}{16}$	12, 18, 24 30, 36, 42, 48
2141	B, R, S	24	1147 Alumina Primary 1146 Alumina Inner Primary	$\frac{1}{4} \times \frac{1}{16}$	

* Specify Type S, R or B by adding -S, -R, or -B after the part number. Types S, R and B thermocouples and the thermoelements are provided in accordance with ITS-90.